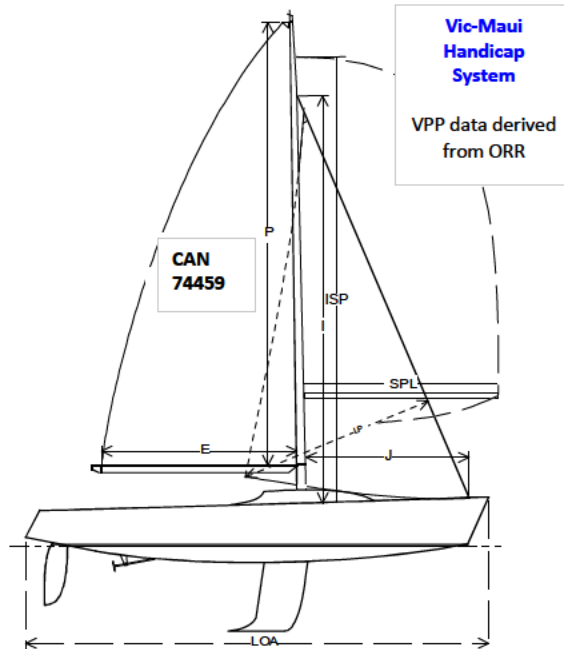




2014 Vic-Maui VMHS Certificate

YACHT NAME: LOSLOPER
SAIL NUMBER: 74459
ADDRESS: [REDACTED]
 Signature:

CERTIFICATE#: EXPERIMENTAL
ISSUED DATE: June 17, 2014
YEAR VALID: Vic-Maui 2014 Only
CLASS: Shearwater 39
BUILDER: Dix/Nebe Boatworks
OFFSETS FILE: us18324.off
MEASUREMENT: estimated
Freeboard Date:
Inclining Date:
RIG TYPE: Sloop
SPINNAKER TYPE: Symmetric
KEEL TYPE: Fixed, with skeg
PROP INSTALL: Out of aperture PRD:
PROP TYPE: 3 bld feathering PBW:



Genoa/Spinnakers		Mainsail/Mast Meas.		Mizzen Meas.	
J	19.1	IG	51.1	PY	0.0
LP Genoa	24.0	ISP	51.1	EY	0.0
FSP		GO		HBY	0.0
JL	50.7	MW		MGTY	0.0
JLE		P	44.1	MGUY	0.0
JR		E	17.04	MGMY	0.0
TPS	16.5	HB	0.5	MGLY	0.0
SL	54.9	MGT		MDT1Y	0.0
SMW	33.4	MGU	6.4	MDL1Y	0.0
SF	31.8	MGM	9.78	MDT2Y	0.0
ASL		MGL		MDL2Y	0.0
AMG		MDT1		TLY	0.0
ASF		MDL1		EB	0.0
A Genoa	663.0	MDT2		YSD	0.0
A Sym	1378.0	MDL2		YSF	0.0
A Asym		TL		YSMG	0.0
		MSWgt		A Mizzen	0.0
		A Main	427.5		

LOA	39.33	DRAFT	5.9
Rated L		ECE	
BMAX	12.83	Wet AREA	372.0
Stability Index	127.1	PIPA	
LPS	116.3 (est.)	VCGD	
CREW	1700	VCGM	
Frbd Fwd M		RM2	
Frbd Aft M		RM20	
SG		RM40	
SFFP		RM60	
SAFP		RM80	
DISP Meas	23000 (e t)	MWT	
Water Ballast	0	MCG	

VIC-MAUI PERFORMANCE RATING

(sec/mile)

GPH: 704	Time-on-Time (TOT)	6 kt	8 kt	10 kt	12 kt	14 kt	16 kt	20 kt
VMG Beating		137	1099.6	963.5	898.0	861.7	842	834.4
90		643.5	539.2	500.5	485.5	476.8	466.2	450.1
110		658.1	544.1	496.6	7.5	460.1	450.2	437.1
120		702.2	568.2	506.3	478.5	460.0	455.6	424.7
150		971.2	755.6	626.5	548.0	502.5	477.3	441.5
VMG Running		1121.4	872.5	723.3	622.3	555.4	511.8	465.6

Vic-Maui TOD 571.86

Time on Distance Scoring: Corr Time = ElapsedTime - (Rating - Rating Scratch) x Distance