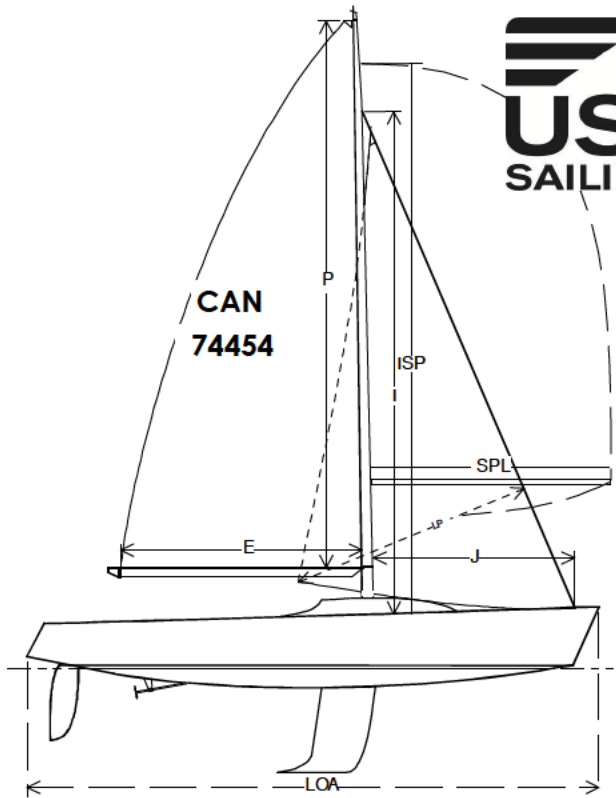


# 2014 OFFSHORE RACING RULE CERTIFICATE™



\*\*\*\*\*  
\*  
IN PROCESS  
\*\*\*\*\*



**YACHT NAME:** **TURNAGAIN**  
**SAIL NUMBER:** CAN- 74454  
**ADDRESS:** [REDACTED]  
 [REDACTED]  
**Signature:** \_\_\_\_\_

CERTIFICATE#	US42401	AGE DATE	1/1/2010
ISSUED DATE	5/21/2014 3:43:53 PM		
YEAR VALID	2014		
CLASS	BUILDER BENETEAU		
OFFSETS FILE	BNTCE50 OFF	ABS PLAN	Not filed
MEASUREMENT	MEASURER VERIFIED (Meters/Kilograms)		
Freeboard Date	4/12/2014		
Inclining Data	4/12/2014		
RIG TYPE	Sloop		
SPINNAKER TYPE	Asym tacked on CL		
KEEL TYPE	Fixed keel		
PROP INSTALL	Out of aperture	PRD	0.540
PROP TYPE	Feathering 3 Blade	PBW	0.180

LOA	14.87	DRAFT	2.145
Rated L	14.267	ECE	0.000
BMAX	4.50	Wet AREA	49.28
Stability Index	118.3	P PA	0.0024
LPS	109.9	RMC	388.7
CREW	1291	VCGM	0.188
Frbd Fwd M	1.574	RM2	403.0
Frbd Aft M	1.240	RM20	366.2
SG	1.021	RM40	287.1
SFFP	1.000	RM60	188.0
SAFP	14.868	RM90	62.7
D SP Meas	14695	MWT	0.0
Water Ballast	0	MCG	0.000

Genoa/Spinnakers		Mainsail/Mast Meas.		Mizzen Meas.	
J	5.615	G	16.280	PY	0.000
LPGenoa	142 %	SP	16.280	EY	0.000
FSP	0.120	GO	0.310	HBV	0.000
JL	15.600	MW	0.270	MGTY	0.000
JLE	0.000	P	15.290	MGUY	0.000
JR	0.000	E	5.429	MGMY	0.000
TPS	6.025	HB	0.150	MGLY	0.000
SL	0.000	MGT	1.020	MDT1Y	0.000
SMW	0.000	MGU	1.870	MDL1Y	0.000
SF	0.000	MGM	3.370	MDT2Y	0.000
ASL	17.630	MGL	4.720	MDL2Y	0.000
AMG	10.080	MDT1	0.140	TLY	0.000
ASF	10.200	MDL1	0.270	EB	0.000
A Genoa	62.300	MDT2	0.140	YSD	0.000
A Sym	0.000	MDL2	0.270	YSF	0.000
A Asym	148.400	TL	0.000	YSMG	0.000
		MSWgt	0.000	A Mizzen	0.000
		A Main	48.800		

TABLE OF RATINGS	Time-on-Time (TOT)	Wind Speed						
		6kt	8kt	10kt	12kt	16kt	20kt	24kt
GPH: 624.6								
CLOSED COURSE:	0.894	853.0	669.7	573.0	517.2	456.3	427.0	411.0
WW 60%, LW 40%:	0.860	1192.8	923.4	777.8	691.0	590.8	546.5	526.2
WW 50%, LW 50%:	0.863	1181.6	910.9	763.5	675.6	572.5	525.8	503.1
Bermuda Course:	0.965	1004.7	751.9	609.0	515.4	421.1	376.0	346.3
Ocean Non-Spin:	0.905	1065.1	800.1	649.5	551.7	450.7	402.5	372.5
Offshore Offwind:	0.898	958.5	740.1	617.8	540.5	453.9	406.9	374.2

Chicago-Mackinac All-Purpose TOT	0.906	Puerto Vallarta TOT:	0.569	Acapulco	TOD	TOT
Chicago-Mackinac Offwind TOT	0.898	Cabo San Lucas TOD	564.2	WW/LW:	763.5	0.772
Pacific Cup TOD	451.1	Cabo San Lucas TOT:	0.646	Random:	624.6	0.808
Time on Distance Scoring: Corr Time = ElapsedTime - (Rating - Rating Scratch) x Distance		WW/LW5:	777.8	StatFit:	624.8	0.795
Time on Time Scoring: Corr Time = ElapsedTime x TOT						