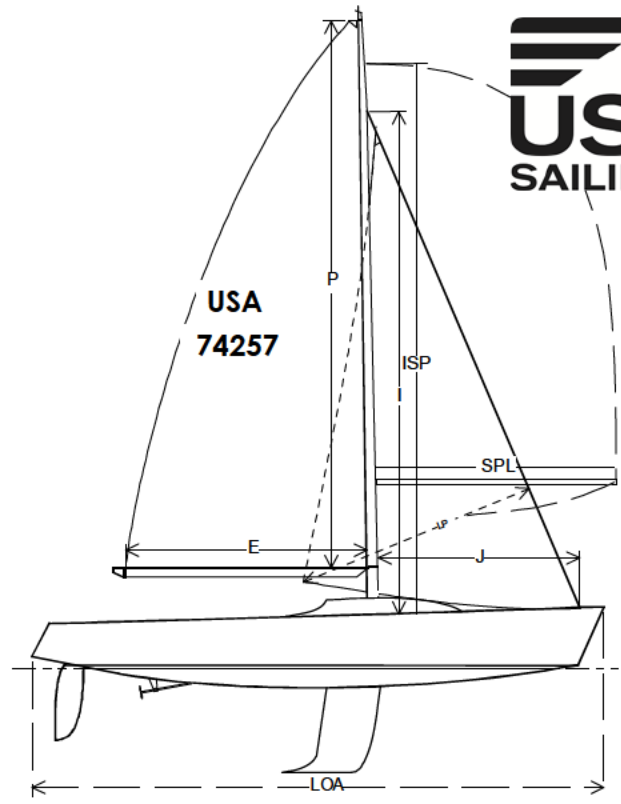


2014 OFFSHORE RACING RULE CERTIFICATE™



YACHT NAME: **TURICUM**
SAIL NUMBER: USA- 74257
ADDRESS: [REDACTED]
Signature: _____

CERTIFICATE#: US42372 **AGE DATE:** 5/1/1986
ISSUED DATE: 5/19/2014 4:40:40 PM
YEAR VALID: 2014
CLASS: C&C 44
BUILDER: C&C
OFFSETS FILE: US18722 OFF **ABS PLAN:** Not filed
MEASUREMENT: SISTER/PARTIAL (Feet/Pounds)
Freeboard Date: 4/26/2014
Inclining Data: 5/17/1989
RIG TYPE: Sloop
SPNNAKER TYPE: Asym on a pole
KEEL TYPE: Fixed keel
PROP INSTALL: Out of aperture **PRD:** 1 580
PROP TYPE: Feathering 3 Blade **PBW:** 0 500

LOA	43 99	DRAFT	8 544
Rated L	35 777	ECE	0 000
BMAX	13 19	Wet AREA	382 29
Stability Index	134 0	PIPA	0 0514
LPS	127 8	RMC	1867 0
CREW	1800	VCGM	-0 827
Frbd Fwd M	4 645	RM2	1944 7
Frbd Aft M	3 520	RM20	1808 2
SG	1 021	RM40	1594 3
SFFP	2 860	RM60	1165 8
SAFP	38 910	RM90	601 8
DISP Meas	23391	MWT	0 0
Water Ballast	0	MCG	0 000

Genoa/Spinnakers		Mainsail/Mast Meas.		Mizzen Meas.	
J	16 376	IG	59 782	PY	0 000
LPGenoa	160 %	ISP	59 720	EY	0 000
FSP	0 220	GO	0 500	HBV	0 000
JL	0 000	MW	0 500	MGTY	0 00
JLE	0 000	P	51 813	MGUY	0 00
JR	0 000	E	16 000	MGMY	0 00
SPL	17 140	HB	0 540	MGLY	0 00
SL	60 00	MGT	3 30	MDT1Y	0 00
SMW	31 40	MGU	6 04	MDL1Y	0 00
SF	31 33	MGM	10 34	MDT2Y	0 00
ASL	59 00	MGL	13 63	MDL2Y	0 00
AMG	31 33	MDT1	0 43	TLY	0 00
ASF	32 33	MDL1	0 68	EB	0 00
A Genoa	812 6	MDT2	0 40	YSD	0 0
A Sym	1569 0	MDL2	0 54	YSF	0 0
A Asym	1548 8	TL	7 72	YSMG	0 0
		MSWgt	0 0	A Mizzen	0 0
		A Main	494 6		

TABLE OF RATINGS	Time-on-Time (TOT)	Wind Speed						
		6kt	8kt	10kt	12kt	16kt	20kt	24kt
GPH:	607.8							
CLOSED COURSE:	0.910	767.7	628.7	557.2	518.0	478.9	459.3	447.4
WW 60%, LW 40%:	0.930	1034.0	827.3	711.6	645.6	582.2	554.7	540.6
WW 50%, LW 50%:	0.925	1040.8	826.4	705.7	635.2	566.8	536.4	519.3
Bermuda Course:	0.960	942.7	727.0	605.8	529.8	453.7	418.8	396.7
Ocean Non-Spin:	0.916	986.2	760.9	634.6	555.3	475.3	437.3	412.4
Offshore Offwind:	0.899	908.5	717.1	611.7	547.7	478.0	439.5	410.5

Chicago-Mackinac All-Purpose TOT	0.913	Puerto Vallarta TOT:	0.572	Acapulco	TOD	TOT
Chicago-Mackinac Offwind TOT	0.899	Cabo San Lucas TOD	562.5	WW/LW:	705.7	0.835
Pacific Cup TOD	473.9	Cabo San Lucas TOT:	0.648	Random:	607.8	0.831
Time on Distance Scoring: Corr Time = ElapsedTime - (Rating - Rating Scratch) x Distance		WW/LW5:			711.6	0.838
Time on Time Scoring: Corr Time = ElapsedTime x TOT		StatFit:			592.5	0.838