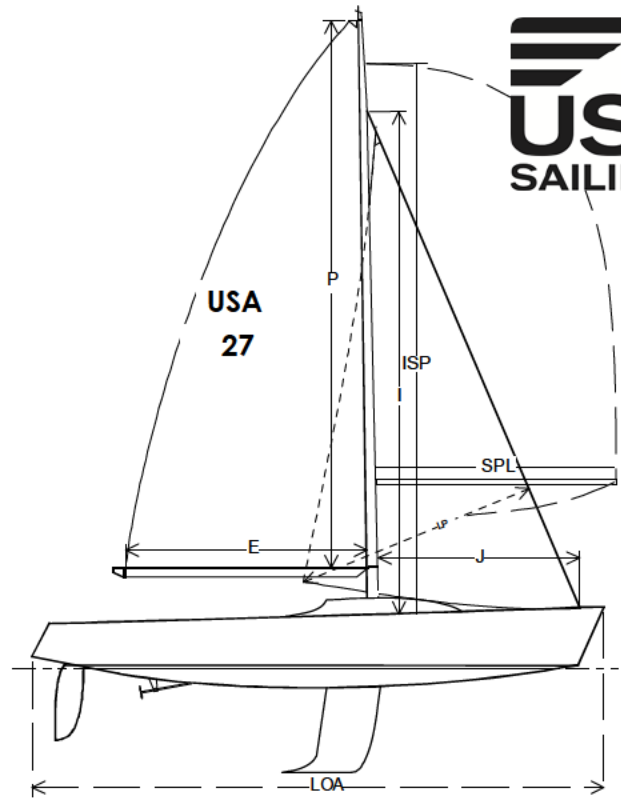


2014 OFFSHORE RACING RULE CERTIFICATE™



YACHT NAME: **KAHUNA**
SAIL NUMBER: USA- 27
ADDRESS: [REDACTED]
Signature: _____

CERTIFICATE#: US41861 **AGE DATE:** 1/1/2000
ISSUED DATE: 5/22/2014 1:52:16 PM
YEAR VALID: 2014
CLASS: AERODYNE 38
BUILDER: AERODYNE
OFFSETS FILE: A38a off **ABS PLAN:** Not filed
MEASUREMENT: FULL (Feet/Pounds)
Freeboard Date: 11/14/2007
Inclining Data: 11/14/2007
RIG TYPE: Sloop
SPNNAKER TYPE: Asym tacked on CL
KEEL TYPE: Fixed keel
PROP INSTALL: Strutdrive **PRD:** 1 450
PROP TYPE: Folding **PBW:** 0 460

LOA	37 90	DRAFT	7 798
Rated L	35 644	ECE	0 000
BMAX	13 11	Wet AREA	291 32
Stability Index	123 2	PIPA	0 0603
LPS	128 9	RMC	1266 5
CREW	1982	VCGM	-1 184
Frbd Fwd M	4 754	RM2	1410 7
Frbd Aft M	3 531	RM20	1256 9
SG	1 020	RM40	1017 4
SFFP	0 226	RM60	736 7
SAFP	36 626	RM90	369 4
DISP Meas	10881	MWT	410 0
Water Ballast	0	MCG	19 440

Genoa/Spinnakers		Mainsail/Mast Meas.		Mizzen Meas.	
J	14 670	IG	50 930	PY	0 000
LPGenoa	104 %	ISP	57 260	EY	0 000
FSP	0 200	GO	0 790	HBV	0 000
JL	0 000	MW	0 700	MGTY	0 00
JLE	0 000	P	51 700	MGUY	0 00
JR	0 000	E	16 400	MGMY	0 00
TPS	19 440	HB	0 260	MGLY	0 00
SL	0 00	MGT	4 59	MDT1Y	0 00
SMW	0 00	MGU	7 84	MDL1Y	0 00
SF	0 00	MGM	12 37	MDT2Y	0 00
ASL	57 60	MGL	14 93	MDL2Y	0 00
AMG	34 00	MDT1	0 40	TLY	0 00
ASF	32 00	MDL1	0 66	EB	0 00
A Genoa	407 8	MDT2	0 32	YSD	0 0
A Sym	0 0	MDL2	0 45	YSF	0 0
A Asym	1612 8	TL	5 50	YSMG	0 0
		MSWgt	80 9	A Mizzen	0 0
		A Main	565 0		

TABLE OF RATINGS	Time-on-Time (TOT)	Wind Speed						
		6kt	8kt	10kt	12kt	16kt	20kt	24kt
GPH:	562.9							
CLOSED COURSE:	0.980	699.5	580.9	519.0	484.2	443.6	416.8	394.8
WW 60%, LW 40%:	0.984	955.0	770.9	669.5	616.0	559.7	531.8	508.9
WW 50%, LW 50%:	0.985	946.7	762.4	660.3	604.2	543.3	511.5	483.5
Bermuda Course:	1.053	867.3	669.4	556.9	483.3	401.8	354.4	318.8
Ocean Non-Spin:	0.966	951.5	730.1	605.5	525.6	439.9	389.1	348.0
Offshore Offwind:	0.988	811.2	648.4	559.2	503.0	433.0	382.0	338.7

Chicago-Mackinac All-Purpose TOT	0.991	Puerto Vallarta TOT:	0.631	Acapulco	TOD	TOT
Chicago-Mackinac Offwind TOT	0.988	Cabo San Lucas TOD	510.0	WW/LW:	660.3	0.893
Pacific Cup TOD	425.1	Cabo San Lucas TOT:	0.715	Random:	562.9	0.897
Time on Distance Scoring: Corr Time = ElapsedTime - (Rating - Rating Scratch) x Distance		WW/LW5:		669.5	0.890	
Time on Time Scoring: Corr Time = ElapsedTime x TOT		StatFit:		554.1	0.896	