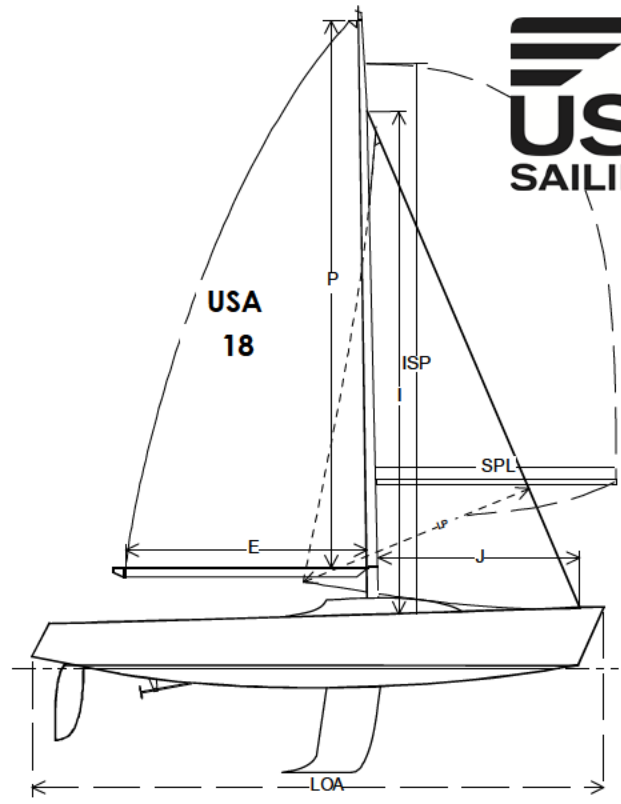


2014 OFFSHORE RACING RULE CERTIFICATE™



YACHT NAME: JAM
SAIL NUMBER: USA- 18
ADDRESS: [REDACTED]
Signature: _____

CERTIFICATE#: US41479 **AGE DATE:** 5/1/1996
ISSUED DATE: 4/17/2014 1:26:36 PM
YEAR VALID: 2014
CLASS: J-160 Deep Keel
BUILDER: TPI
OFFSETS FILE: US31022 OFF **ABS PLAN:** Not filed
MEASUREMENT: FULL (Feet/Pounds)
Freeboard Date:
Inclining Data: 2/24/2006
RIG TYPE: Sloop
SPNNAKER TYPE: Asym tacked on CL
KEEL TYPE: Fixed keel
PROP INSTALL: Out of aperture **PRD:** 1 900
PROP TYPE: Feathering 2 Blade **PBW:** 0 600

LOA	52 50	DRAFT	9 121
Rated L	49 982	ECE	0 000
BMAX	14 53	Wet AREA	568 33
Stability Index	123 8	PIPA	0 0997
LPS	112 8	RMC	3360 8
CREW	2000	VCGM	-0 237
Frbd Fwd M	4 470	RM2	3425 6
Frbd Aft M	3 150	RM20	3080 7
SG	1 020	RM40	2426 0
SFFP	2 050	RM60	1547 9
SAFP	50 810	RM90	587 9
DISP Meas	36159	MWT	854 0
Water Ballast	0	MCG	21 740

Genoa/Spinnakers		Mainsail/Mast Meas.		Mizzen Meas.	
J	19 000	IG	66 500	PY	0 000
LPGenoa	134 %	ISP	68 000	EY	0 000
FSP	0 240	GO	0 960	HBV	0 000
JL	66 630	MW	0 850	MGTY	0 00
JLE	0 000	P	62 000	MGUY	0 00
JR	0 000	E	24 000	MGMY	0 00
TPS	25 080	HB	0 750	MGLY	0 00
SL	0 00	MGT	4 86	MDT1Y	0 00
SMW	0 00	MGU	9 02	MDL1Y	0 00
SF	0 00	MGM	15 55	MDT2Y	0 00
ASL	70 54	MGL	19 95	MDL2Y	0 00
AMG	42 59	MDT1	0 51	TLY	0 00
ASF	42 65	MDL1	0 90	EB	0 00
A Genoa	847 5	MDT2	0 44	YSD	0 0
A Sym	0 0	MDL2	0 79	YSF	0 0
A Asym	2503 9	TL	2 20	YSMG	0 0
		MSWgt	0 0	A Mizzen	0 0
		A Main	883 3		

TABLE OF RATINGS	Time-on-Time (TOT)	Speed						
		6kt	8kt	10kt	12kt	16kt	20kt	24kt
GPH:	537.1							
CLOSED COURSE:	1.032	689.7	559.7	494.1	455.4	414.6	393.3	378.3
WW 60%,LW 40%:	1.020	948.8	756.9	653.8	589.2	521.7	489.5	471.1
WW 50%, LW 50%:	1.020	939.2	748.2	644.0	577.9	507.1	472.1	451.4
Bermuda Course:	1.104	839.8	641.6	529.5	457.1	384.0	349.5	326.5
Ocean Non-Spin:	1.028	911.9	693.1	569.3	489.9	408.5	368.7	342.2
Offshore Offwind:	1.035	788.2	624.1	532.9	476.3	410.8	371.1	339.9

Chicago-Mackinac All-Purpose TOT	1.040	Puerto Vallarta TOT:	0.659	Acapulco	TOD	TOT
Chicago-Mackinac Offwind TOT	1.035	Cabo San Lucas TOD	488.4	WW/LW:	644.0	0.915
Pacific Cup TOD	406.1	Cabo San Lucas TOT:	0.747	Random:	537.1	0.940
Time on Distance Scoring: Corr Time = ElapsedTime - (Rating - Rating Scratch) x Distance		WW/LW5:			653.8	0.912
Time on Time Scoring: Corr Time = ElapsedTime x TOT		StatFit:			531.0	0.935